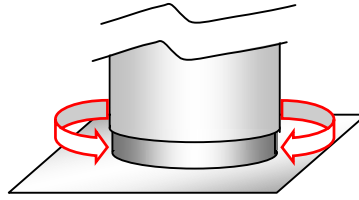
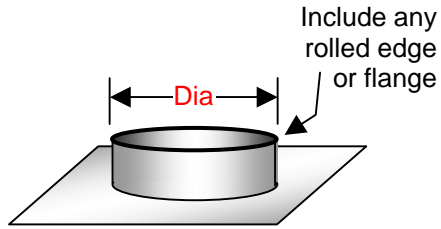
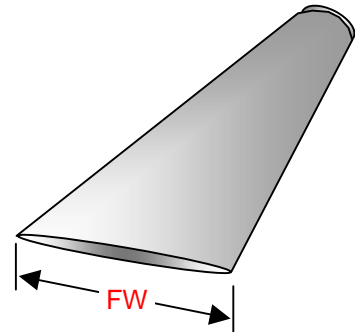


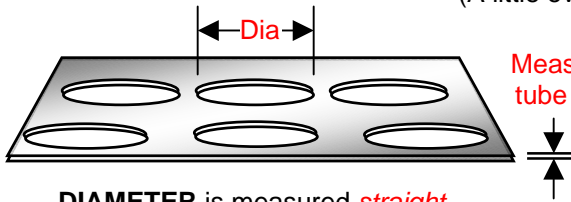
Measurement Confirmation Worksheet



CIRCUMFERENCE is measured all the way around the circle. (A little over 3 times the *diameter*.)



FLAT WIDTH is measured by pulling your loose bag or sleeve out flat and reading the stretched out width. Indicate if inside or outside. (About 1-1/2 times the *diameter*.)

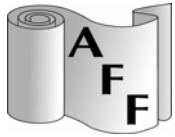


Measure Thickness of tube sheet / cell plate

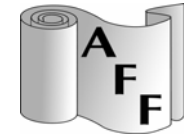
DIAMETER is measured straight across a circle. Indicate if ID or OD

NOTE: All measuring methods are usable. We just convert them, but ...
We need to know which way you actually measured

Use this space for sketches and notes



CIRCLE SIZE CONVERSION CHART



DIA.	CIRC.	FLAT
4	12 5/8	6 2/8
4 1/4	13 3/8	6 5/8
4 1/2	14 1/8	7 1/8
4 3/4	14 7/8	7 4/8
5	15 6/8	7 7/8
5 1/4	16 4/8	8 2/8
5 1/2	17 2/8	8 5/8
5 3/4	18 1/8	9
6	18 7/8	9 3/8
6 1/4	19 5/8	9 7/8
6 1/2	20 3/8	10 2/8
6 3/4	21 2/8	10 5/8
7	22	11
7 1/4	22 6/8	11 3/8
7 1/2	23 4/8	11 6/8
7 3/4	24 3/8	12 1/8
8	25 1/8	12 5/8
8 1/4	25 7/8	13
8 1/2	26 6/8	13 3/8
8 3/4	27 4/8	13 6/8
9	28 2/8	14 1/8
9 1/4	29	14 4/8
9 1/2	29 7/8	14 7/8
9 3/4	30 5/8	15 3/8

DIA.	CIRC.	FLAT
10	31 3/8	15 6/8
10 1/4	32 2/8	16 1/8
10 1/2	33	16 4/8
10 3/4	33 6/8	16 7/8
11	34 4/8	17 2/8
11 1/4	35 3/8	17 5/8
11 1/2	36 1/8	18 1/8
11 3/4	36 7/8	18 4/8
12	37 6/8	18 7/8
12 1/4	38 4/8	19 2/8
12 1/2	39 2/8	19 5/8
12 3/4	40	20
13	40 7/8	20 3/8
13 1/4	41 5/8	20 7/8
13 1/2	42 3/8	21 2/8
13 3/4	43 2/8	21 5/8
14	44	22
14 1/4	44 6/8	22 3/8
14 1/2	45 4/8	22 6/8
14 3/4	46 3/8	23 1/8
15	47 1/8	23 4/8
15 1/4	47 7/8	24
15 1/2	48 6/8	24 3/8
15 3/4	49 4/8	24 6/8

DIA.	CIRC.	FLAT
16	50 2/8	25 1/8
16 1/4	51	25 4/8
16 1/2	51 7/8	25 7/8
16 3/4	52 5/8	26 2/8
17	53 3/8	26 6/8
17 1/4	54 2/8	27 1/8
17 1/2	55	27 4/8
17 3/4	55 6/8	27 7/8
18	56 4/8	28 2/8
18 1/4	57 3/8	28 5/8
18 1/2	58 1/8	29
18 3/4	58 7/8	29 4/8
19	59 6/8	29 7/8
19 1/4	60 4/8	30 2/8
19 1/2	61 2/8	30 5/8
19 3/4	62	31
20	62 7/8	31 3/8
20 1/2	64 4/8	32 2/8
20 1/2	64 3/8	32 2/8
20 3/4	65 2/8	32 5/8
21	66	33
21 1/4	66 6/8	33 3/8
21 1/2	67 4/8	33 6/8
21 3/4	68 3/8	34 1/8

DIA.	CIRC.	FLAT
22	69 1/8	34 4/8
22 1/2	70 5/8	35 3/8
23	72 2/8	36 1/8
23 1/2	73 7/8	36 7/8
24	75 3/8	37 6/8
24 1/2	77	38 4/8
25	78 4/8	39 2/8
25 1/2	80 1/8	40
26	81 5/8	40 7/8
26 1/2	83 2/8	41 5/8
27	84 7/8	42 3/8
27 1/2	86 3/8	43 2/8
28	88	44
28 1/2	89 4/8	44 6/8
29	91 1/8	45 4/8
29 1/2	92 5/8	46 3/8
30	94 2/8	47 1/8
30 1/2	95 7/8	47 7/8
31	97 3/8	48 6/8
31 1/2	99	49 4/8
32	100 4/8	50 2/8
32 1/2	102 1/8	51
33	103 5/8	51 7/8
33 1/2	105 2/8	52 5/8