



# CUSTOMIZING YOUR FABRIC FILTERS

*Common Options For Healthier Breathing, Cleaner Workshops and Convenient Dust Control*

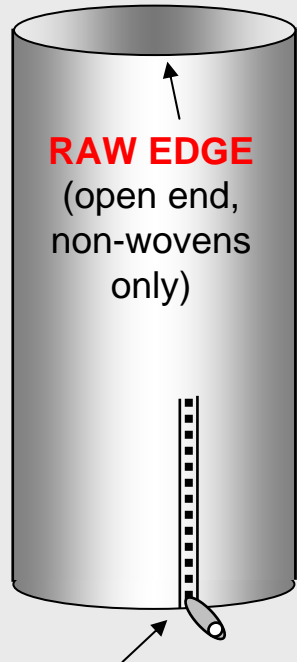
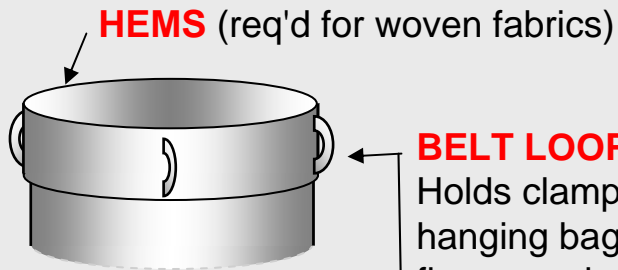
## DEFINITIONS, ETC.

*SLEEVES - are Open Both Ends*

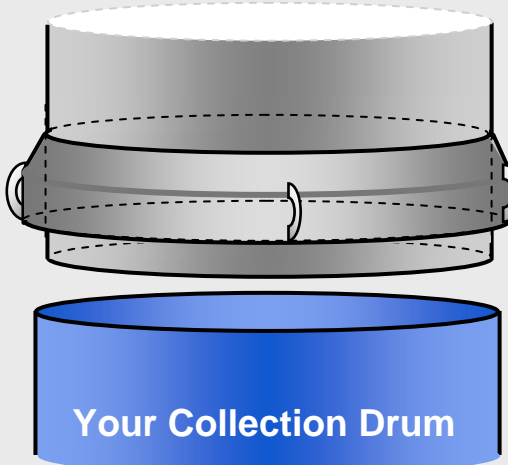
*BAGS - are Closed One or Both Ends*

*Open ends can be Up or Down*

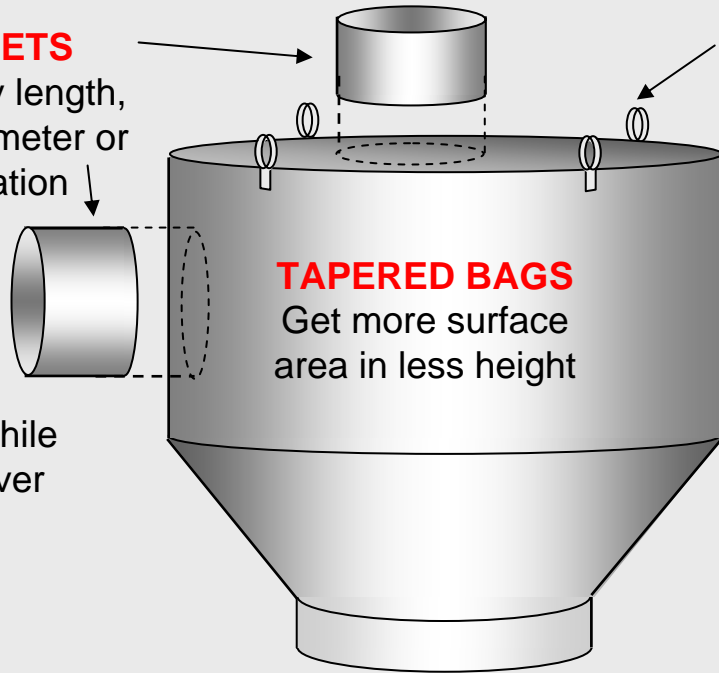
*You specify sizes, quantities & locations*



**HD ZIPPER** w/flap inside  
(side, bottom or top)

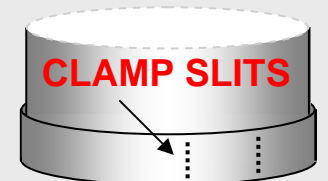


**INLETS**  
Any length, diameter or location



## **HANGING LOOPS**

As many as needed around edge of top and/or in center  
(Reinforced if required)



## **Polyester (PE) Felts**

